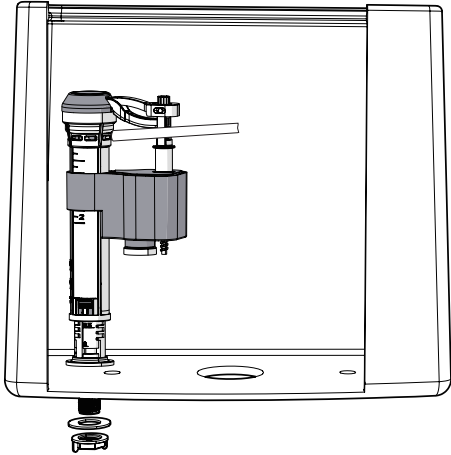
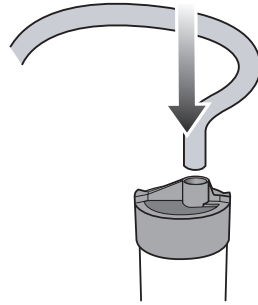


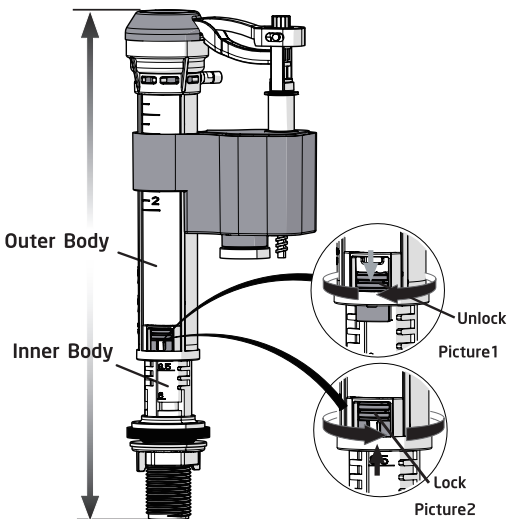
Installation instruction for Toilet Mechanism:
Fill Valve with Drain



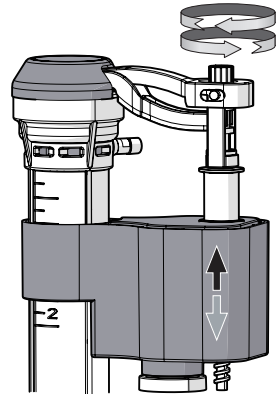
1. Insert the new fill valve with rubber seal at the base in the inlet hole of water tank and screw on the nut with collar tightly;



2. Connect the refill tube with refill rest-riCTOR from fill valve to the overflow pipe of the flush valve;



3. After the fill valve installed, unlock the outer Body in right direction. Adjust the height of fill valve (picture 1) to suitable level. Then lock again (picture 2);



4. Fine and final adjustment can be made by rotating the screw rod clockwise or counterclockwise on the fill valve cup. In order to achieve desired water level;